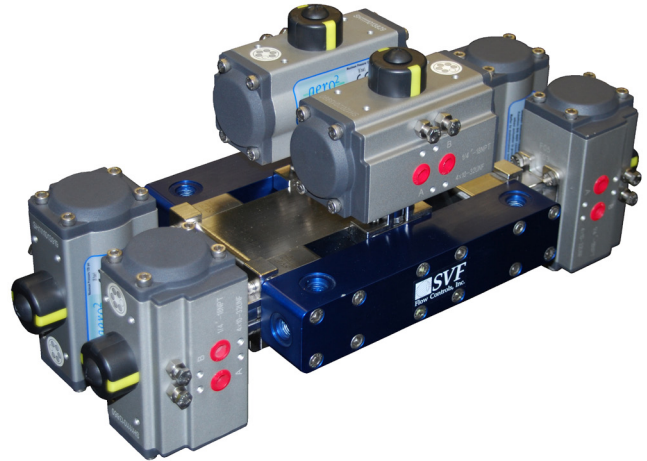


SVF has developed a compact, "Fast-Fill" manifold for use with CNG dispensing systems.

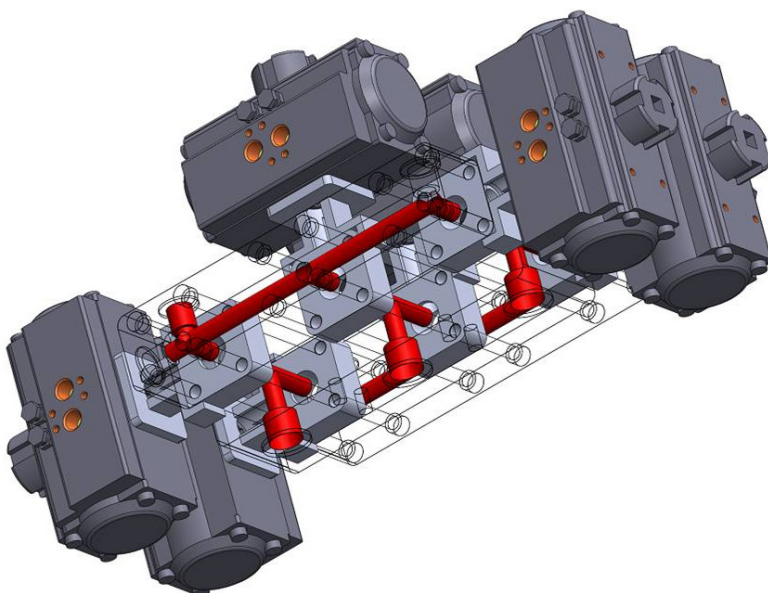
The 6 Valve manifold includes fully automated valves and piping connections for cascade storage systems, filters and hoses.

All of our CNG manifolds utilize pressure containing components that have passed the stringent pressure level testing according to NFPA-52.



CNG MANIFOLD DESIGN FEATURES

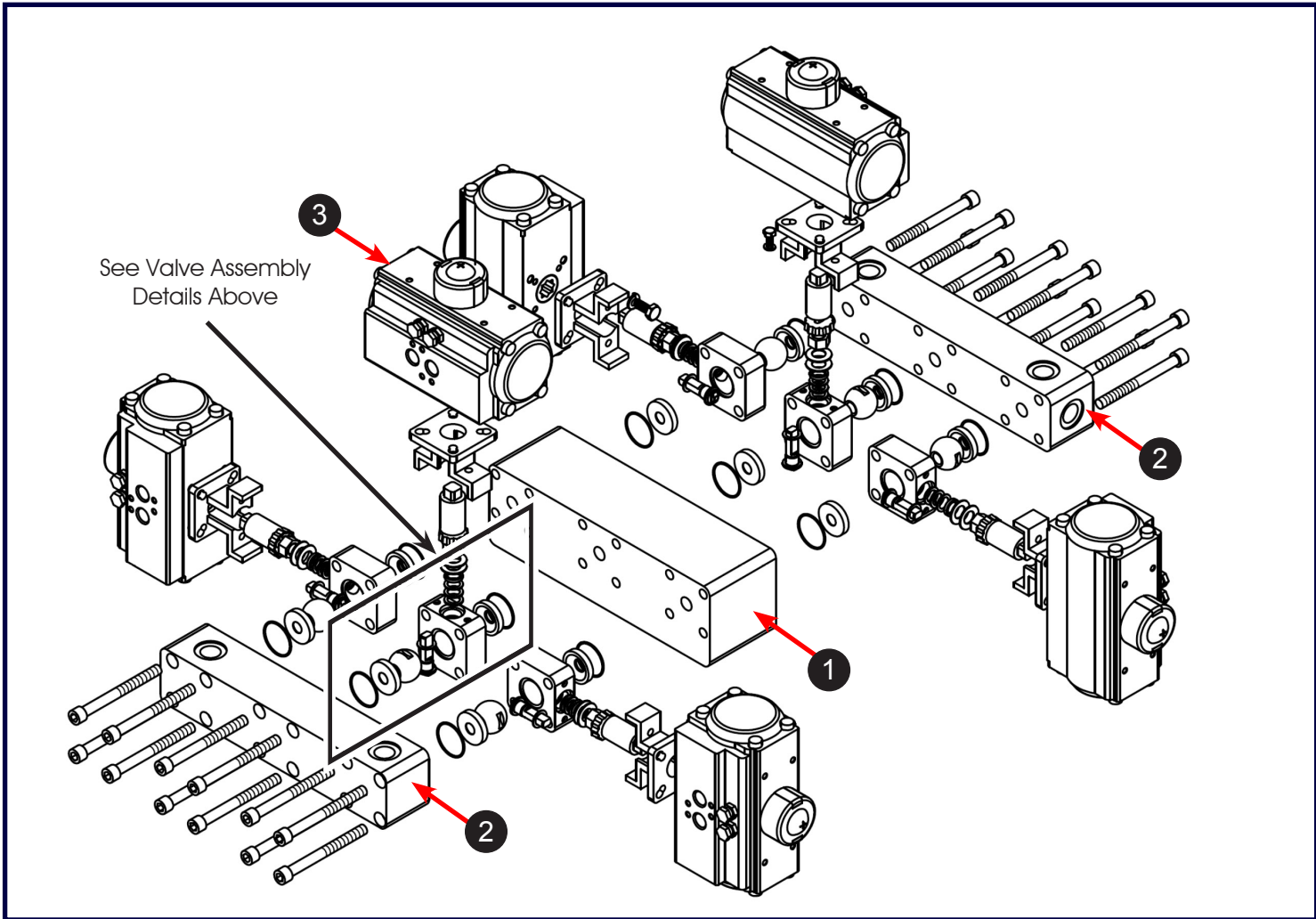
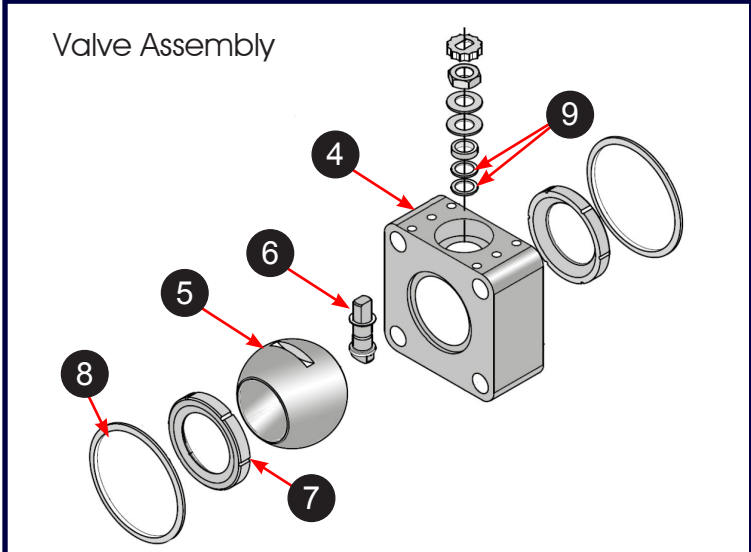
- ✓ Reduce installation time and cost by eliminating fittings and tubing
- ✓ High flow rate for "Fast-Fill" applications
- ✓ Compact design is suitable for installation in dispenser enclosures
- ✓ Fast Acting valve automation is more efficient
- ✓ Modular design is simple to maintain
- ✓ Stainless valve bodies and core manifold are corrosion resistant
- ✓ Available with a range of options and custom modifications to suit specific requirements
- ✓ All ports are 1/2" NPT but may be supplied SAE or other sizes



- ✓ Six or Three valve Systems
- ✓ NPT, SAE End Connections
- ✓ Integral Pilot Valve available
- ✓ Spring Return actuators respond to signal failure
- ✓ System Cv: 1.7 (maximum)
- ✓ Nominal bore: Valve 11mm
- ✓ Shown at left: 6 Valve Manifold with integral filter connections, 3 hose outlet

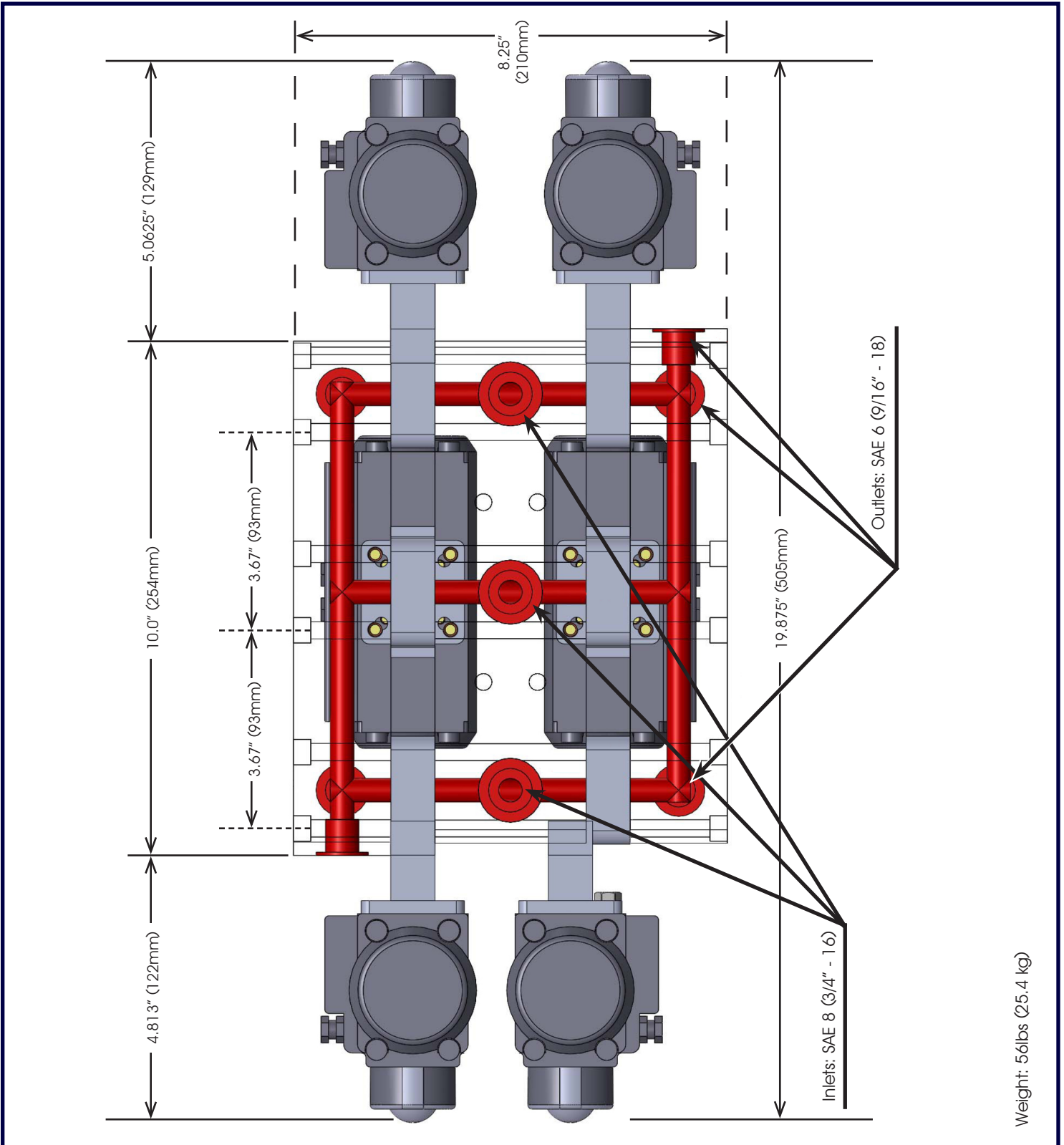
CNG MANIFOLD MATERIALS OF CONSTRUCTION

ITEM	DESCRIPTION	MATERIALS SPECIFICATIONS (Additional options available)
1	Manifold Center	316 Stainless Steel (ASTM A351 CF8M)
2	Manifold Outside	Anodized Aluminum
3	Actuators	Anodized Aluminum
Valve Materials:		
4	Body	316 Stainless Steel (ASTM A351 CF8M)
5	Ball	316 Stainless Steel (ASTM A351 CF8M)
6	Stem	Stainless Steel 17-4 ph (ASTM A564 630)
7	Seat	Delrin®
8	Body Seal	Buna "N"
9	Stem Seal	SupraLon™



Specifications subject to change. Visit www.SVF.net for the latest updates. All Data Sheets posted on our website supersede all prior publications • [Document#SVF_CNG_Manifold_Data_Sheet • - 01/03/2014]

CNG MANIFOLD DIMENSIONS



Specifications subject to change. Visit www.SVF.net for the latest updates. All Data Sheets posted on our website supersede all prior publications • [Document#SVF_CNG_Manifold_Data_Sheet • - 01/03/2014]